

ILLUSTRATED PARTS BREAKDOWN

ELECTROLUX

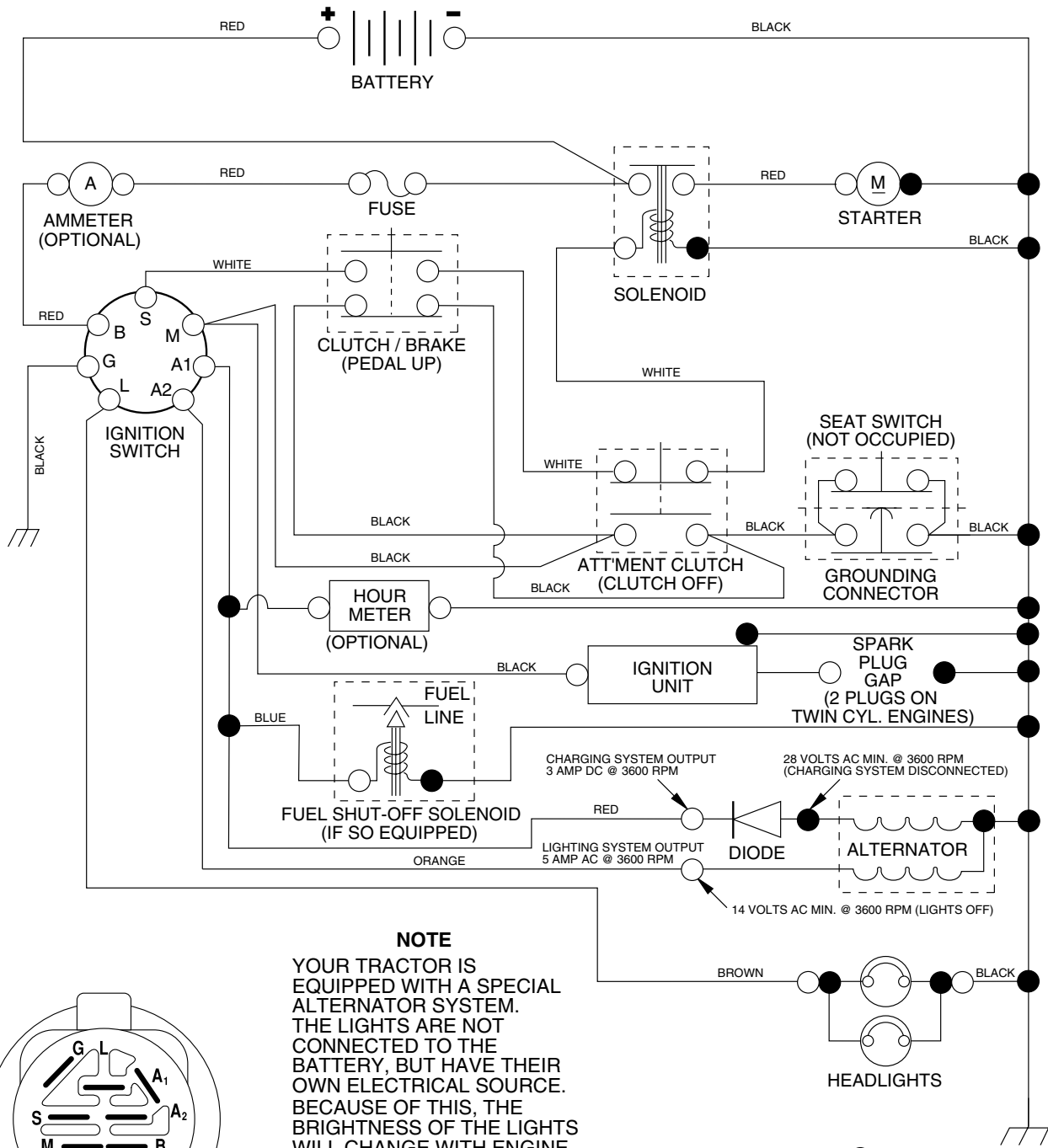
12.0 HP, 42" MOWER DECK

LAWN TRACTOR

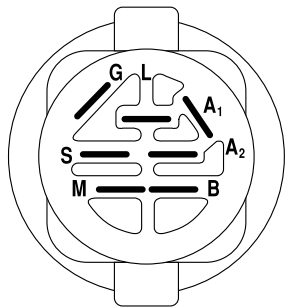
MODEL NUMBER 12-107 (PP12107A)

PRODUCT NUMBER 964 79 30-00

TRACTOR - - MODEL NUMBER 12-107 (PP12107A), PRODUCT NO. 964 79 30-00 SCHEMATIC



NOTE
YOUR TRACTOR IS EQUIPPED WITH A SPECIAL ALTERNATOR SYSTEM. THE LIGHTS ARE NOT CONNECTED TO THE BATTERY, BUT HAVE THEIR OWN ELECTRICAL SOURCE. BECAUSE OF THIS, THE BRIGHTNESS OF THE LIGHTS WILL CHANGE WITH ENGINE SPEED. AT IDLE THE LIGHTS WILL DIM. AS THE ENGINE IS SPEEDED UP, THE LIGHTS WILL BECOME THEIR BRIGHTEST.



IGNITION SWITCH

POSITION	CIRCUIT	"MAKE"
OFF	M+G+A1	NONE
RUN/LIGHT	B+A1	A2+L
RUN	B+A1	NONE
START	B + S + A1	NONE

WIRING INSULATED CLIPS

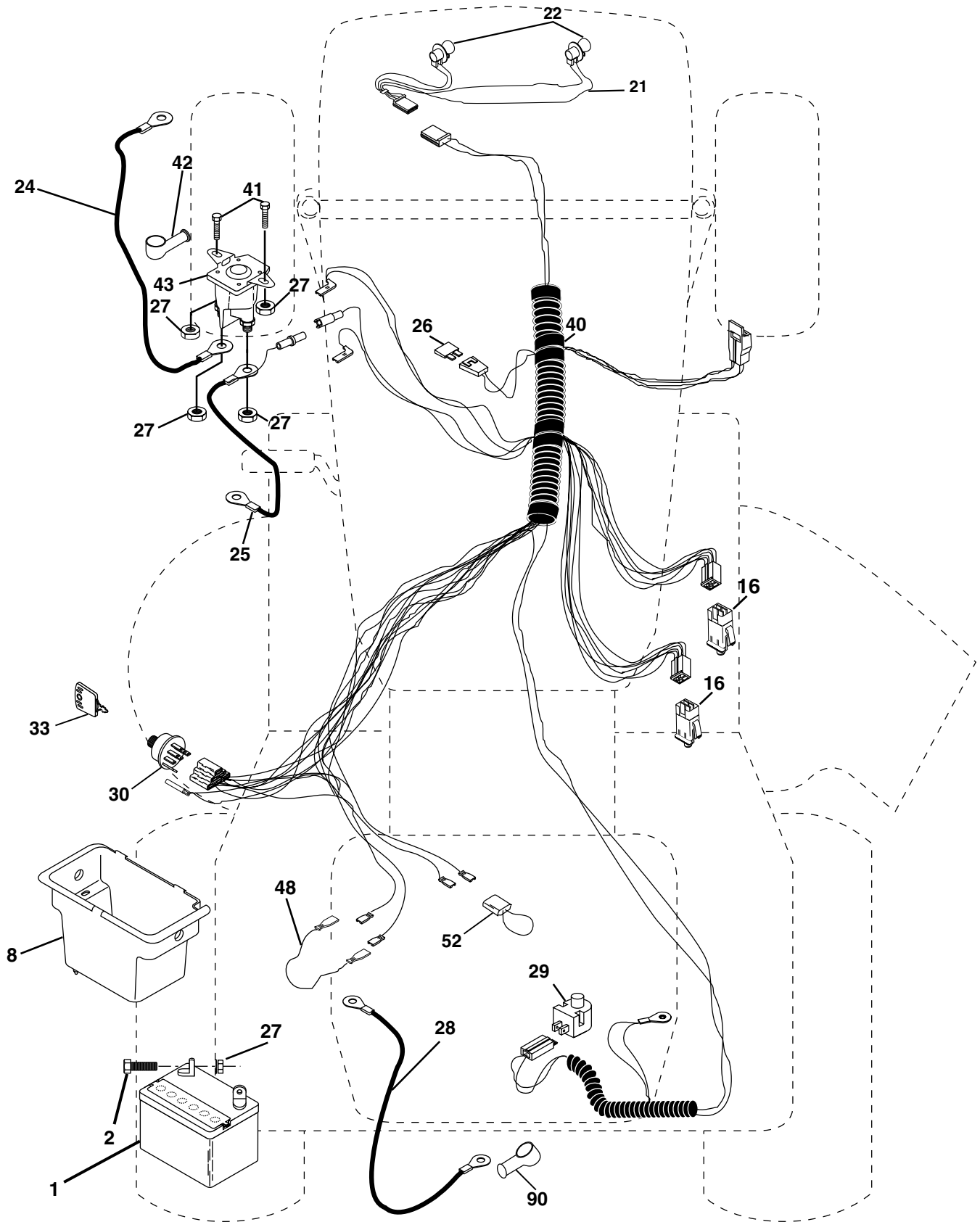
NOTE: IF WIRING INSULATED CLIPS WERE REMOVED FOR SERVICING OF UNIT, THEY SHOULD BE REPLACED TO PROPERLY SECURE YOUR WIRING.

NON-REMOVABLE CONNECTIONS

REMOVABLE CONNECTIONS

REPAIR PARTS

TRACTOR - - MODEL NUMBER 12-107 (PP12107A), PRODUCT NO. 964 79 30-00
ELECTRICAL



REPAIR PARTS

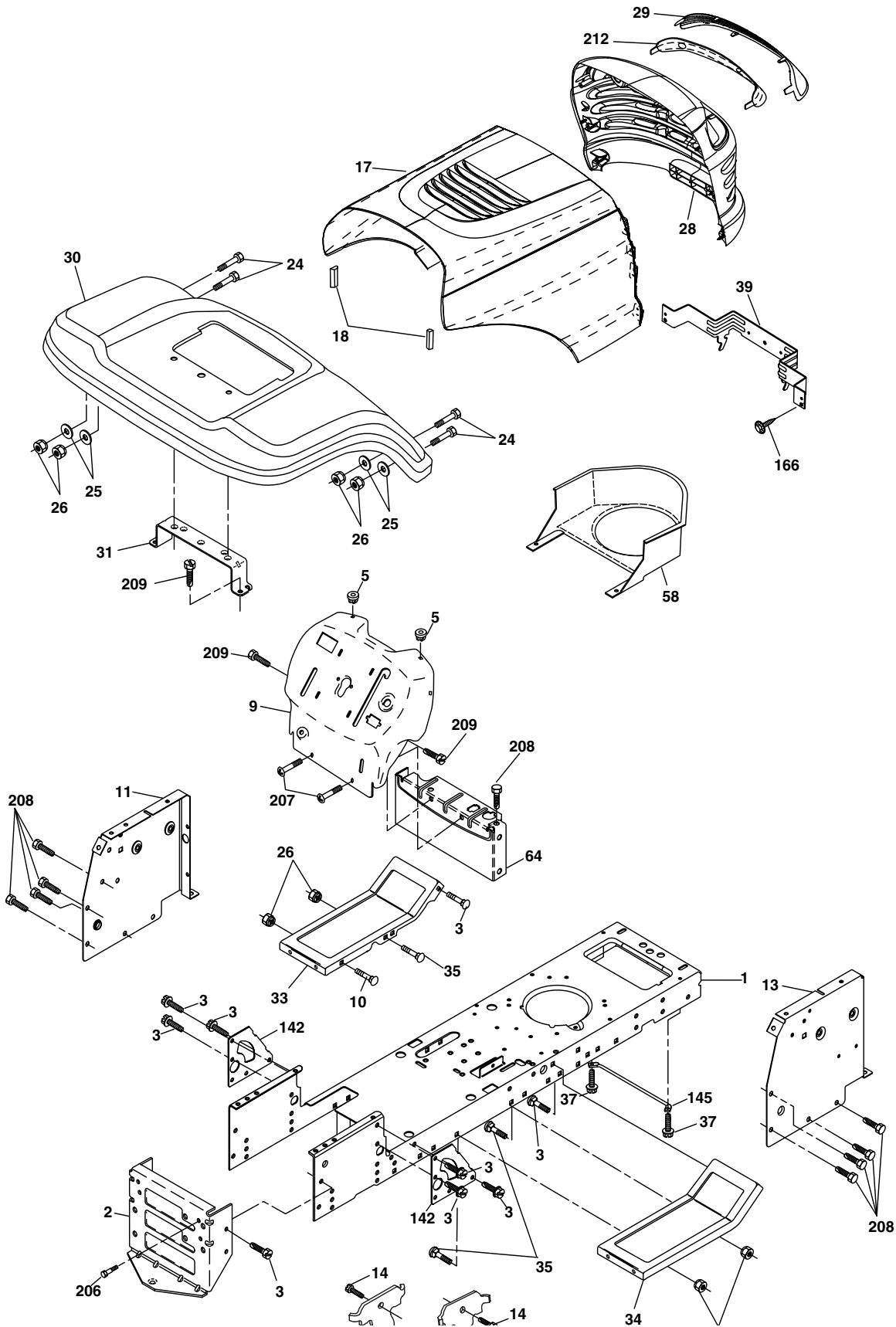
TRACTOR - - MODEL NUMBER 12-107 (PP12107A), PRODUCT NO. 964 79 30-00
ELECTRICAL

KEY NO.	PART NO.	DESCRIPTION
1	532 16 34-65	Battery 12 Volt 25 Amp
2	874 76 04-12	Bolt Hex Hd 1/4-20unc X 3/4
8	532 17 66-89	Case Battery Mech Hinge
16	532 17 61-38	Switch Interlock Push-In
21	532 18 37-59	Harness Asm Light W/4152j
22	532 00 41-52	Bulb Light #1156
24	532 12 47-80	Cable Battery 6 Ga 11"red
25	532 14 61-47	Cable Battery
26	532 17 51-58	Fuse
27	873 51 04-00	Nut Keps Hex 1/4-20 Unc
28	532 12 47-73	Cable Ground 6 Ga 12"black
29	532 12 13-05	Switch Plunger Nc Gray
30	532 17 55-66	Switch Ign
33	532 14 04-01	Key Ign
40	532 17 97-20	Harness Ign
41	871 11 04-08	Bolt Blk Fin Hex 1/4-20
42	532 13 15-63	Cover Terminal Red
43	532 17 88-61	Solenoid
48	532 14 08-44	Adapter Ammeter
52	532 14 19-40	Protection Wire Loop
90	532 18 04-49	Cover Terminal Battery

NOTE: All component dimensions given in U. S.
inches 1 inch = 25.4 mm.

REPAIR PARTS

TRACTOR - - MODEL NUMBER 12-107 (PP12107A), PRODUCT NO. 964 79 30-00
CHASSIS



REPAIR PARTS

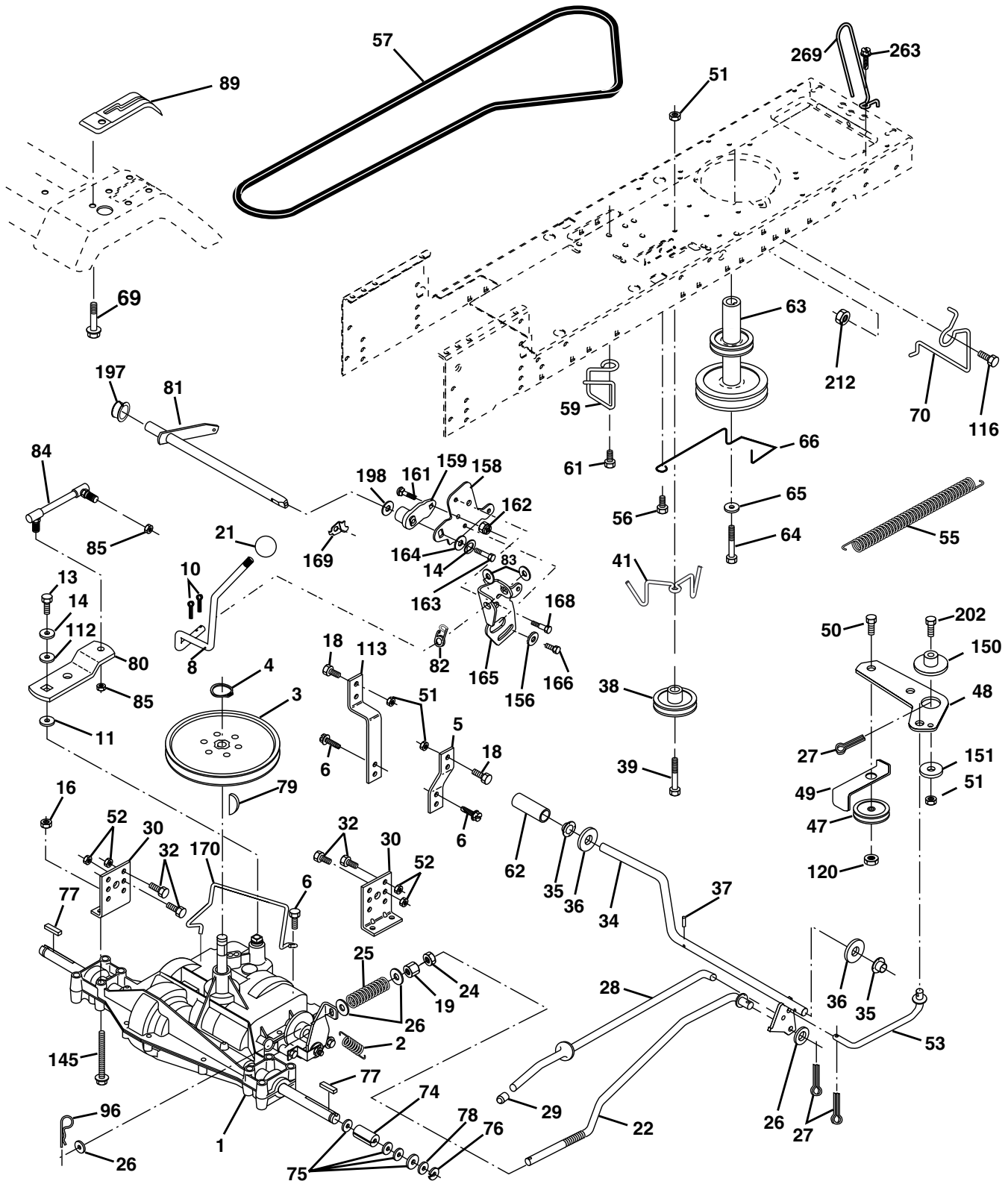
TRACTOR - - MODEL NUMBER 12-107 (PP12107A), PRODUCT NO. 964 79 30-00 CHASSIS

KEY NO.	PART NO.	DESCRIPTION
1	532 17 46-19	Chassis
2	532 17 65-54	Drawbar
3	817 06 06-12	Screw 3/8-16 x .75
5	532 15 52-72	Bumper Hood Dash
9	532 18 52-74	Dash
10	872 14 06-08	Bolt Rdhd Sqnk 3/8-16unc X 1
11	532 17 49-96	Panel Dash LH
13	532 18 69-52	Panel Dash RH
14	817 49 06-08	Screw Thdrol 3/8-16 x 1/2
17	532 18 65-80	Hood
18	532 18 49-21	Bumper Hood
24	874 78 06-16	Bolt Fin Hex 3/8-16unc X 1 Gr. 5
25	819 13 13-12	Washer 13/32 X 13/16 X 12 Ga.
26	873 80 06-00	Nut Lock Hex w/Ins 3/8-16 Unc
28	532 18 35-52	Grille/Lens Asm
29	532 18 58-46	Lens Grille
30	532 18 65-86	Fender
31	532 13 66-19	Bracket Fender Repl 109873x
33	532 18 25-07	Footrest Pnt LH
34	532 18 25-00	Footrest Pnt RH
35	872 11 06-06	Bolt Rdhd Sht Sqnk 3/8-16 X3/4
37	817 49 05-08	Screw Thdrol 5/16-18 x 1/2 Tyt
38	532 17 57-10	Bracket Asm Pivot Mower Rear
39	532 17 47-14	Bracket Pivot
58	532 15 01-27	Air Duct Private Label
64	532 15 47-98	Dash Lower STLT
142	532 17 57-02	Plate Reinforcement STLT
145	532 15 65-24	Rod Pivot Chassis/Hood
166	532 17 18-75	Screw HwHd Hi-Low #13-16 x 3/4
206	532 17 01-65	Bolt Shoulder 5/16-18
207	817 67 05-08	Screw Thdrol 5/16-18 x 1/2
208	817 67 06-08	Screw Thdrol 3/8-16 x 1/2
209	817 00 06-12	Screw Hex Wsh Thdr 3/8-16 x 3/4
212	532 18 35-50	Insert Lens Reflective

NOTE: All component dimensions given in U.S. inches
1 inch = 25.4 mm.

REPAIR PARTS

TRACTOR -- MODEL NUMBER 12-107 (PP12107A), PRODUCT NO. 964 79 30-00
DRIVE



REPAIR PARTS

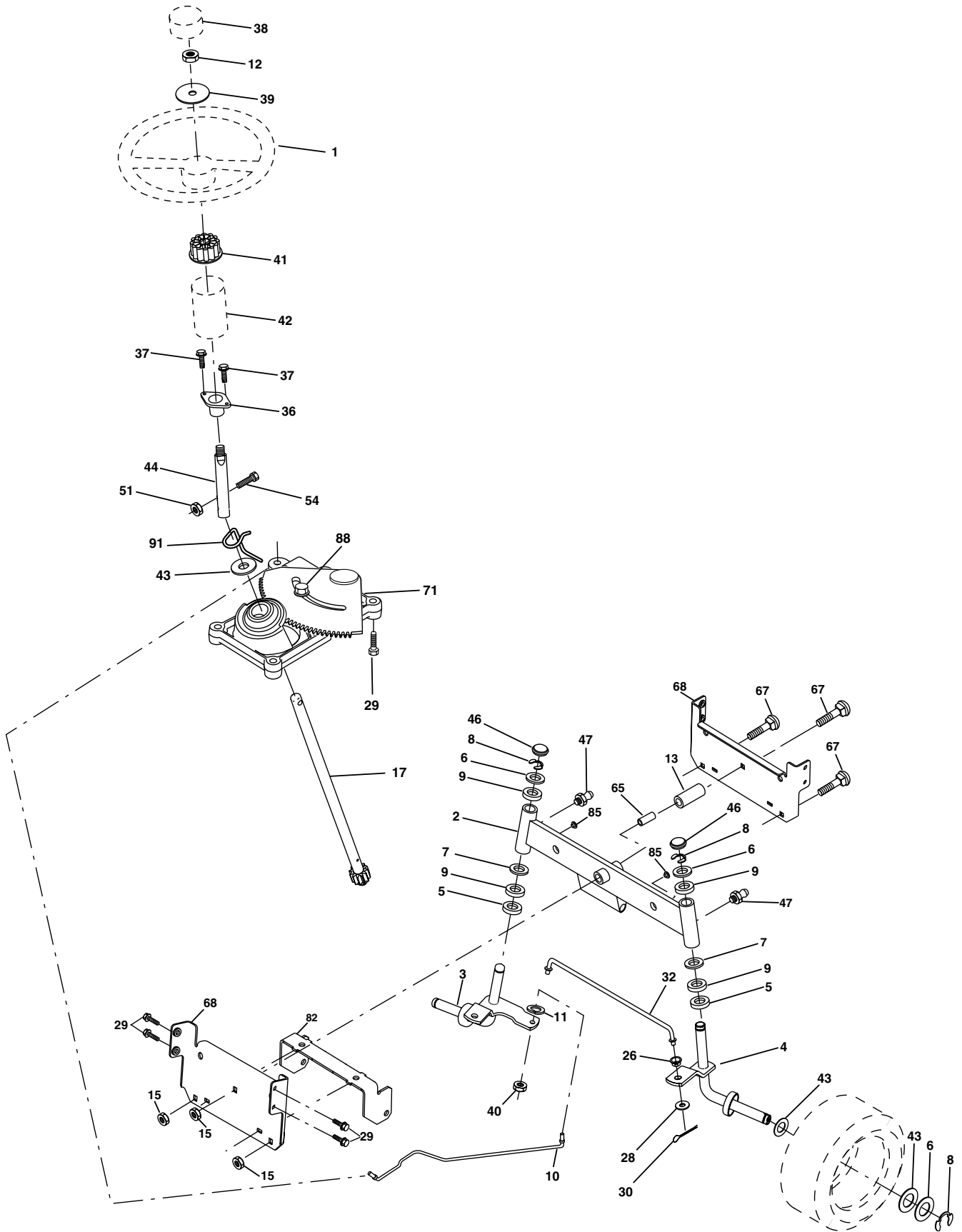
TRACTOR - - MODEL NUMBER 12-107 (PP12107A), PRODUCT NO. 964 79 30-00 DRIVE

KEY NO.	PART NO.	DESCRIPTION	KEY NO.	PART NO.	DESCRIPTION
1	-----	Transaxle, Peerless 205-544C (Order parts from transaxle manufacturer)	65	810 04 07-00	Washer Lock Hvy Hlcl Spr 7/16
2	532 14 66-82	Spring Return Brake T/a Zinc	66	532 15 47-78	Keeper Belt Engine Foolproof
3	532 12 36-66	Pulley Transaxle 18" tires	69	532 14 24-32	Screw Hex Wsh Hi-Lo 1/4-1/2 Unc
4	812 00 00-28	Ring Retainer # 5100-62	70	532 18 02-18	Guide Belt Mower Drive RH
5	532 12 15-20	Strap Torque 30 Degrees	74	532 13 70-57	Spacer Axle
6	817 06 05-12	Screw 5/16-18 x 3/4	75	532 12 17-49	Washer 25/32 X 1 1/4 X 16 Ga
8	532 16 56-19	Rod Shifter Fender Adj Lt	76	812 00 00-01	E-ring #5133-75
10	876 02 04-16	Pin Cotter 1/8 x 1 Cad	77	532 12 35-83	Key Square 2 0 X 1845/ 1865
11	532 10 57-01	Washer Plate Shf 388 Sq Hole	78	532 12 17-48	Washer 25/32 X 1-5/8 X 16 Ga
13	874 55 04-12	Bolt 1/4-28 Unf Gr 8 W/Patch	79	532 12 50-96	Key Woodruff
14	810 04 04-00	Washer Lock Hvy Helical 1/4	80	532 13 14-86	Arm Shift
16	873 80 05-00	Nut Lock	81	532 16 55-94	Shaft Asm Cross Tapered 20"t
18	874 78 06-16	Bolt, Fin Hex 3/8-16 UNC x 1 Gr. 5	82	532 12 37-82	Spring Torsion T/a
19	873 80 06-00	Nut Lock 3/8-16 Unc	83	819 17 12-16	Washer 17/32 X 3/4 X 16 Ga
21	532 10 69-33	Knob	84	532 16 62-28	Link Transaxle
22	532 13 08-04	Rod Brake Blk Zinc 26 840	85	532 15 03-60	Nut Lock Center 1/4 - 28 FNTHD
24	873 35 06-00	Nut Hex Jam 3/8-16 Unc	89	532 17 37-74	Console Shift STLT
25	532 10 68-88	Spring Rod Brake 2 00 Zinc	96	532 12 47-88	Retainer Spring
26	819 13 13-16	Washer 13/32 X 13/16 X 16 Ga	112	819 09 12-10	Washer 9/32 x 3/4 x 10 Ga.
27	876 02 04-12	Pin Cotter 1/8 X 3/4 Cad	113	532 12 72-85	Strap Torque Lh
28	532 17 57-65	Rod Brake Parking	116	872 14 06-08	Bolt Rdhd Sq Neck 3/8-16 x 1.00
29	532 07 16-73	Cap Brake Parking	120	873 90 06-00	Nut Lock Flg 3/8-16
30	532 17 49-73	Bracket Mtg Transaxle	145	874 49 05-40	Bolt Hex 5/16-18 Gr. 5
32	874 76 05-12	Bolt Hex Hd 5/16-18unc X 3/4	150	532 17 54-56	Spacer Retainer
34	532 17 55-78	Shaft Asm Pedal Foot	151	819 13 32-10	Washer 13/32 x 2 x 10
35	532 12 01-83	Bearing Nylon Blk 629 Id	156	532 16 60-02	Washer Srrted 5/16 ID x 1.125
36	819 21 16-16	Washer 21/32 X 1 X 16 Ga	158	532 16 55-89	Bracket Shift Mount
37	532 12 49-63	Pin Roll 3/16 X 1"	159	532 18 39-00	Hub Tapered Flange Shift It
38	532 17 91-14	Pulley Idler Composite	161	872 14 04-06	Bolt Rdhd Sqnk 1/4-20 x 3/4 Gr 5
39	874 76 06-48	Bolt Fin Hex 3/8-16unc X 3	162	873 68 04-00	Nut Crownlock 1/4-20 Unc
41	532 17 55-56	Keeper Belt Retainer Idler	163	874 78 04-16	Bolt Hex Fin 1/4-20 Unc x 1 Gr 5
47	532 12 77-83	Pulley Idler V Groove Plastic	164	819 09 10-10	Washer 5/8 x .281 x 10 Ga
48	532 15 44-07	Bellcrank Asm	165	532 16 56-23	Bracket Pivot Lever
49	532 12 32-05	Retainer Belt Style Spring	166	532 16 68-80	Screw 5/16-18 x 5/8
50	872 11 06-12	Bolt Carr Sh 3/8-16 x 1-1/2 Gr. 5	168	532 16 54-92	Bolt Shoulder 5/16-18 x .561
51	873 68 06-00	Nut Crownlock 3/8-16 Unc	169	532 16 55-80	Plate Fastening Lt
52	873 68 05-00	Nut Crownlock 5/16-18 Unc	170	532 17 83-94	Keeper Belt T/A
53	532 10 57-10	Link Clutch	197	532 16 96-13	Nyliner, Snap - in
55	532 10 57-09	Spring Return Clutch 6 75	198	532 16 95-93	Washer, Nyl.
56	817 06 06-20	Screw 3/8-16 X 1-1/4	202	872 11 06-14	Bolt, Carriage 3/8 - 16 x 1-3/4
57	532 13 08-01	V-Belt Ground Drive	212	532 14 52-12	Nut Flange Hex Lock
59	532 16 96-91	Keeper Belt Span Ctr	263	817 00 06-12	Screw Hex Wsh Thdr 3/8-16 x 3/4
61	817 12 06-14	Screw 3/8-16 x .875	269	532 18 24-02	Guard Muffler RH
62	532 12 48-72	Cover Pedal Blk Round			
63	532 18 02-19	Engine Pulley			
64	871 17 07-64	Bolt Hex			

NOTE: All component dimensions given in U.S. inches
1 inch = 25.4 mm

REPAIR PARTS

TRACTOR - - MODEL NUMBER 12-107 (PP12107A), PRODUCT NO. 964 79 30-00
STEERING



REPAIR PARTS

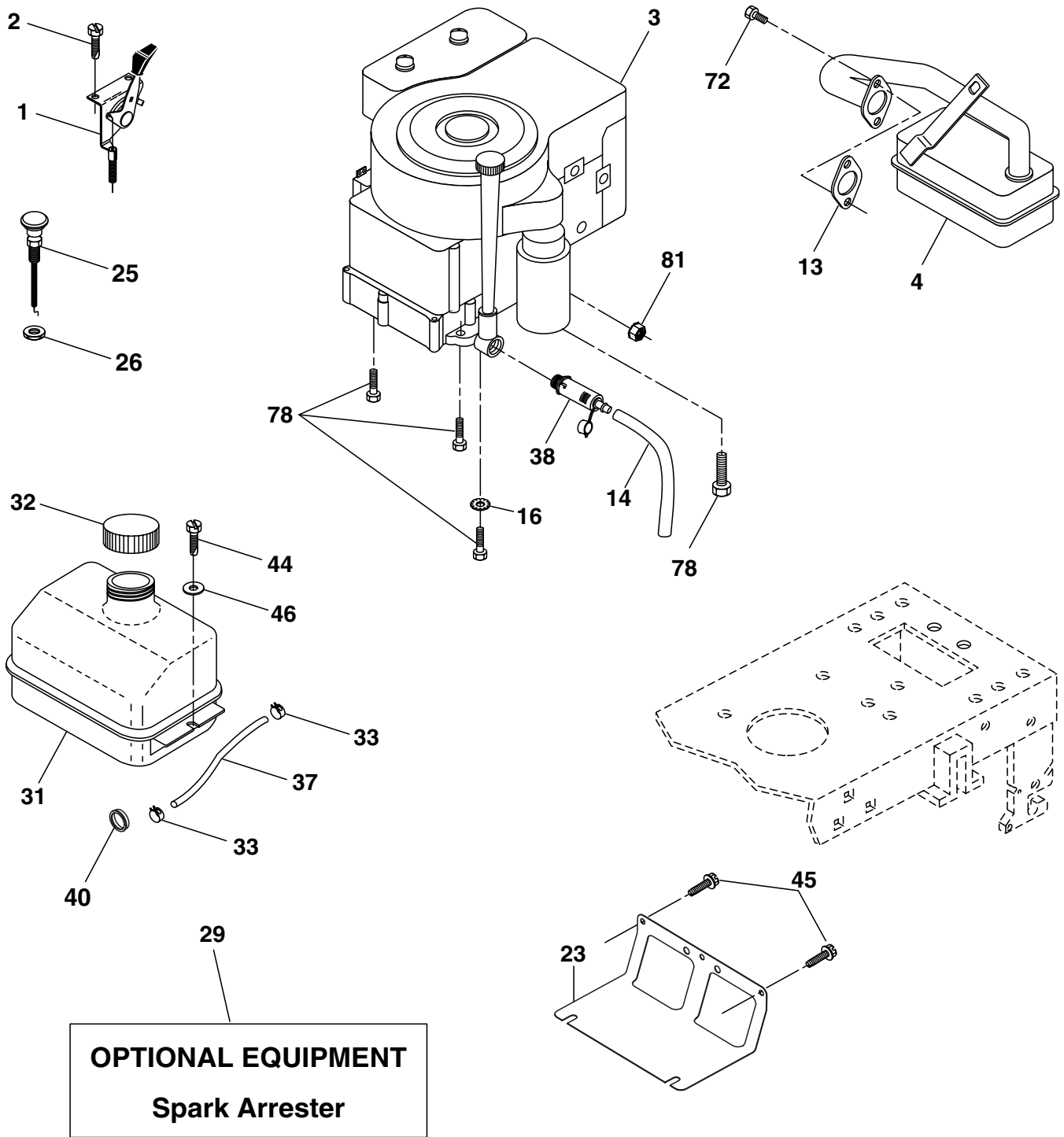
TRACTOR - - MODEL NUMBER 12-107 (PP12107A), PRODUCT NO. 964 79 30-00
STEERING

KEY NO.	PART NO.	DESCRIPTION
1	532 13 97-68	Wheel Steering Opp. Sears Blk
2	532 17 51-31	Axle Asm Fr
3	532 16 98-40	Spindle Asm LH
4	532 16 98-39	Spindle Asm RH
5	532 12 49-31	Bearing Race Thrust Harden
6	532 12 17-48	Washer 25/32 x 1-5/8 x 16 Ga
7	819 27 20-16	Washer 27/32 x 1-1/4 x 16 Ga
8	812 00 00-29	Ring Klip #t5304-75
9	532 12 49-37	Bearing Col Strg Blk
10	532 17 51-21	Link Drag
11	810 04 06-00	Washer Lock Hvy Hlcl Spr 3/8
12	873 94 08-00	Nut Hex Jam Toplock 1/2-20 UNF
13	532 13 65-18	Spacer Brace Axle
15	532 14 52-12	Nut Hexflange Lock
17	532 18 06-41	Shaft Asm Strg
26	532 12 68-47	Bushing Link Drag Blk LR
28	819 13 14-16	Washer 13/32 x 7/8 x 16 Ga
29	817 06 06-12	Screw 3/8-16 x .75
30	876 02 04-12	Pin Cotter 1/8 x 3/4 Cad
32	532 13 04-65	Rod Tie Wire Form 19 75 Mech
36	532 15 50-99	Bushing Strg Nat .623/.618ld
37	532 15 29-27	Screw TT #10-32 x 5 x 3/8 Flange
38	532 14 01-75	Cap Wheel Steer P/L
39	819 18 38-12	Washer 19/16 ID x 2-3/8 OD 12 Ga.
40	532 12 47-01	Nut Lock Center 3/8-24unf
41	532 10 07-11	Adaptor Wheel Strg
42	532 16 96-33	Boot Shaft Steering
43	532 12 17-49	Washer 25/32 X 1 1/4 X 16 Ga
44	532 18 06-40	Extension Steering
46	532 12 12-32	Cap Spindle Fr Top Blk
47	532 18 32-26	Fitting Grease
51	873 54 04-00	Nut Crownlock 1/4-28
54	871 13 04-20	Bolt Hex 1/4-28 UNF x 1-1/4 Gr. 8
65	532 16 03-67	Spacer Brace Axle
67	872 14 06-18	Bolt RDHD SQ 3/8-16 UNC x 2-1/4
68	532 16 98-27	Brace Axle
71	532 17 51-46	Steering Asm.
82	532 16 98-35	Bracket Susp. Chassis Front
85	532 13 38-35	Fastener Christmas Tree
88	532 17 51-18	Bolt Shoulder 7/16-20
91	532 17 55-53	Clip Steering

NOTE: All component dimensions given in U.S. inches
1 inch = 25.4 mm.

REPAIR PARTS

TRACTOR - - MODEL NUMBER 12-107 (PP12107A), PRODUCT NO. 964 79 30-00
ENGINE



REPAIR PARTS

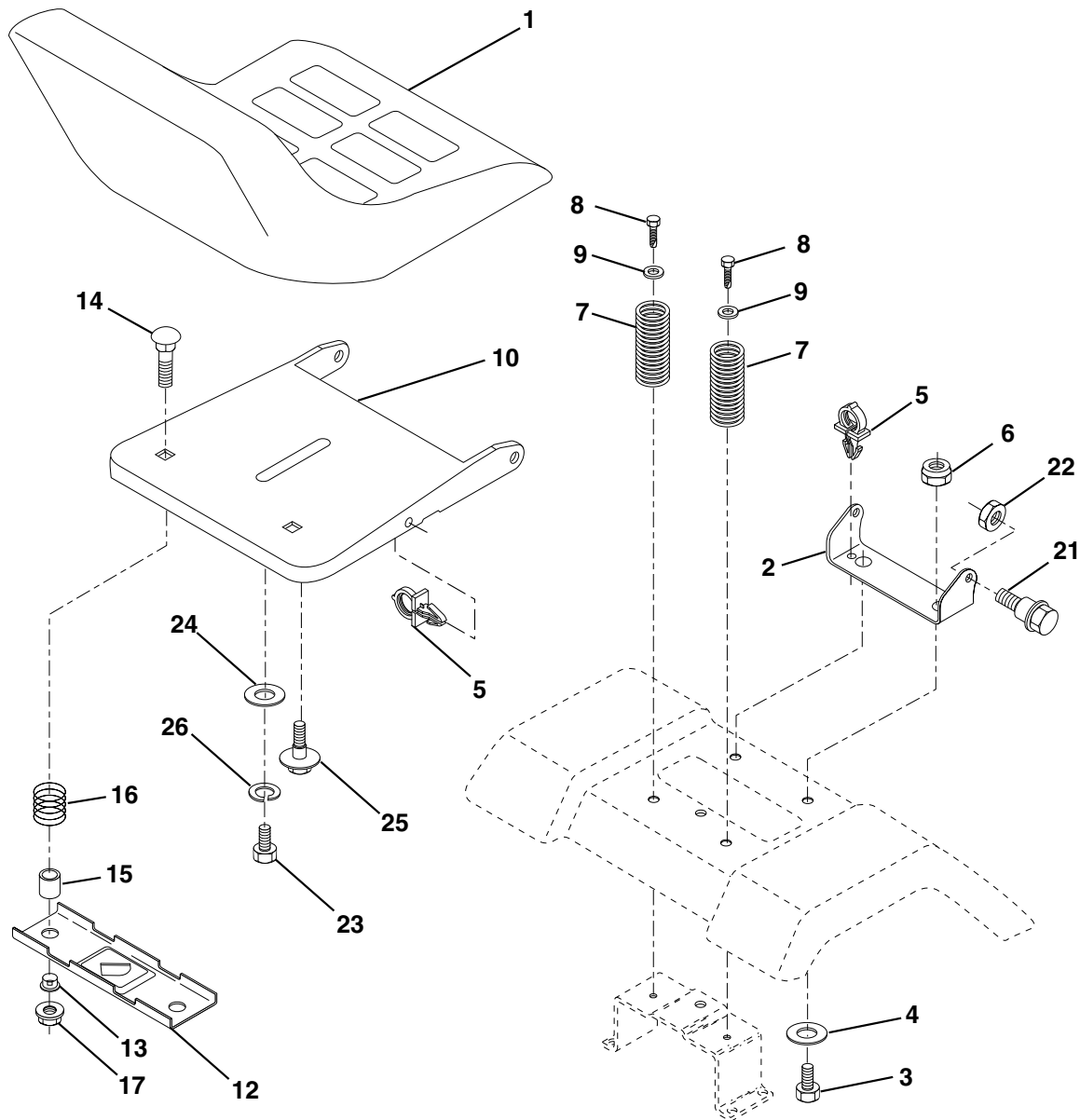
TRACTOR - - MODEL NUMBER 12-107 (PP12107A), PRODUCT NO. 964 79 30-00
ENGINE

KEY NO.	PART NO.	DESCRIPTION
1	532 17 05-51	Control Th/ch Flag Eec
2	817 72 04-08	Screw Hex Thd Cut 1/4-20 x 1/2
3	-----	Engine Briggs & Stratton 21A807 (Order parts from engine manufacturer)
4	532 17 97-58	Muffler LT B&S 12/12 5 HP
13	532 16 52-91	Gasket Eng
14	532 14 84-56	Tube Drain Oil Easy
16	811 05 06-00	Washer Lock Ext Tooth 3/8
23	532 16 98-37	Shield Brn/Dbr Guard
25	532 18 09-45	Control Choke
26	873 92 06-00	Nut Keps 3/8-24 UNF
29	532 13 71-80	Kit Spark Arrecter
31	532 18 49-00	Tank Fuel Front 1.25
32	532 14 05-27	Cap Asm Fuel W/sym Vented
33	532 12 34-87	Clamp Hose Blk
37	532 13 70-40	Line Fuel 20"
38	532 18 16-54	Plug Drain Oil Easy
40	532 12 40-28	Bushing Snap Nyl Blk Fuel Line
44	817 67 04-12	Screw Hexwsh Thdrol 1/4-20 x 3/4
45	817 00 06-12	Screw Hexwsh Thdrol 3/8-16 x 3/4
46	819 09 14-16	Washer 9/32 x 7/8 x 16 Ga.
72	532 18 39-06	Screw Socket Head 5/16-18 x 1
78	817 06 06-20	Screw 3/8-16 x 1-1/4
81	873 51 04-00	Nut Keps Hex 1/4-20 UNC

NOTE: All component dimensions given in U.S. inches
1 inch = 25.4 mm

REPAIR PARTS

TRACTOR - - MODEL NUMBER 12-107 (PP12107A), PRODUCT NO. 964 79 30-00
SEAT



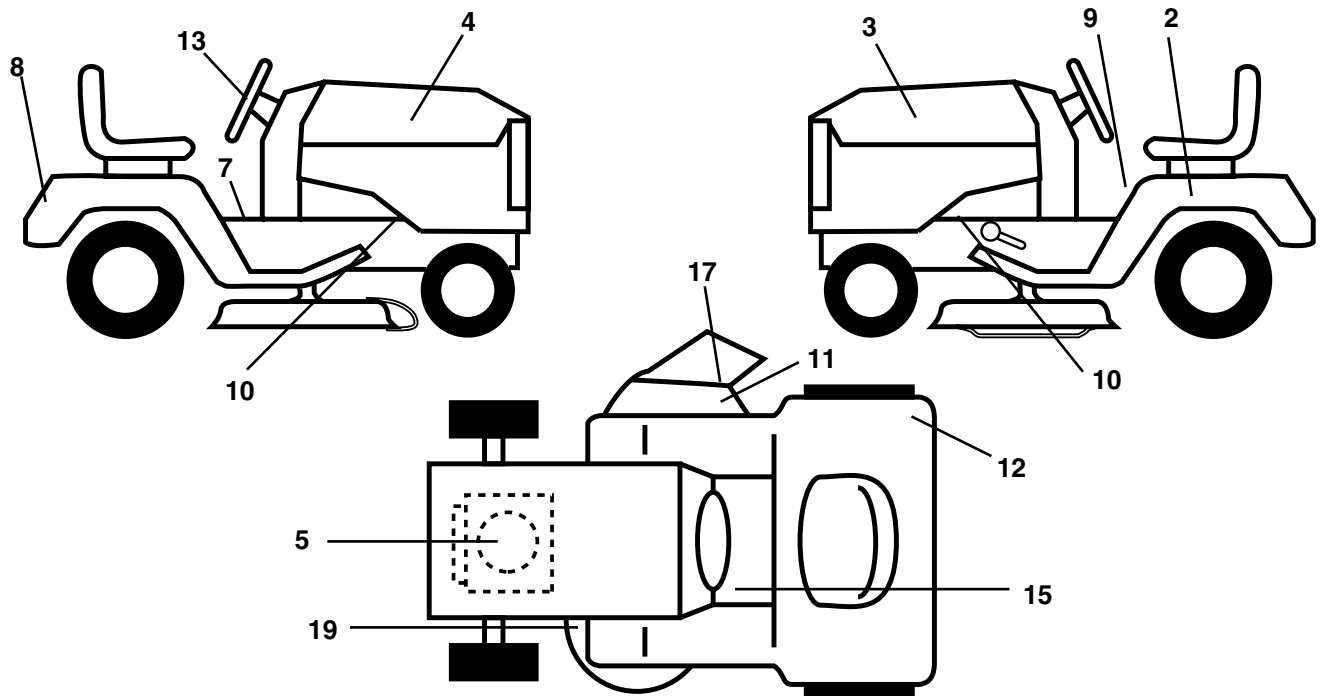
KEY NO.	PART NO.	DESCRIPTION
1	532 14 01-16	Seat
2	532 14 05-51	Bracket Pivot Seat 8 720
3	871 11 06-16	Bolt Fin Hex 3/8-16unc X 1
4	819 13 16-10	Washer 13/32 X 1 X 10 Ga
5	532 14 50-06	Clip Push-In
6	873 80 06-00	Nut Lock Hex w/Wsh 3/8-16 Unc
7	532 12 41-81	Spring Seat Cprsn 2 250 Blk Zi
8	817 00 06-16	Screw 3/8-16 X 1.5
9	819 13 16-14	Washer 13/32 X 1 X 14 Ga.
10	532 18 24-93	Pan Seat
12	532 12 12-46	Bracket Mounting Switch
13	532 12 12-48	Bushing Snap Blk Nyl 50 Id
14	872 05 04-12	Bolt Rdhd Sht Nk 1/4-20x1-1/2

KEY NO.	PART NO.	DESCRIPTION
15	532 13 43-00	Spacer Split 28x 96 Yel Zinc
16	532 12 12-50	Spring Cprsn 1 27 Blk Pnt
17	532 12 39-76	Nut Lock 1/4 Lge Flg Gr 5 Zinc
21	532 17 18-52	Bolt Shoulder 5/16-18 Unc -2A
22	873 80 05-00	Nut Lock Hex W/Insert 5/16-18 UNC
23	871 11 08-14	Bolt Hex Black
24	819 17 19-12	Washer 17/32 X 1-3/16 X 12 Ga.
25	532 12 70-18	Bolt Shoulder 5/16-18 X 62
26	810 04 08-00	Washer Lock Hvy HLCLSPR 1/2

NOTE: All component dimensions given in U.S. inches.
1 inch = 25.4 mm

REPAIR PARTS

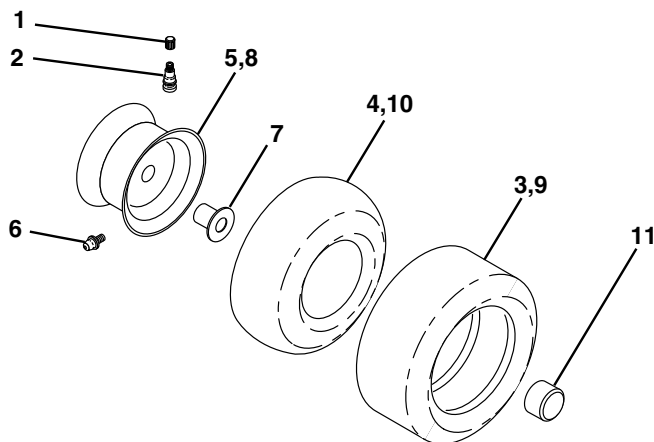
TRACTOR - - MODEL NUMBER 12-107 (PP12107A), PRODUCT NO. 964 79 30-00
DECALS



KEY NO.	PART NO.	DESCRIPTION
2	532 14 50-05	Decal Bat Dan/Poi P/L Symbols
3	532 18 58-90	Decal Hood LH
4	532 18 58-89	Decal Hood RH
5	532 18 61-58	Decal Engine
7	532 14 08-37	Decal Saddle Brake Parking
8	532 18 58-84	Decal Fender Partner Pro
9	532 14 54-98	Decal Read Owners Manual Syms
10	532 15 97-36	Decal Chassis Hot Muffler
11	532 18 21-66	Decal Mower Cut finger Symbol
12	532 18 04-32	Decal 100 Db

KEY NO.	PART NO.	DESCRIPTION
13	532 18 56-47	Decal Strg Wheel Cap
15	532 15 97-37	Decal Brake/Clutch
17	532 17 91-28	Decal Deck "B"
19	532 16 03-96	Decal V-Belt Sch
--	532 16 25-98	Decal Drawbar Load Limit
--	532 13 83-11	Decal Lift Handle (Lift Handle)
--	532 18 52-39	Manual Operator's Euro
--	532 18 52-40	Manual Operator's Scan

WHEELS & TIRES

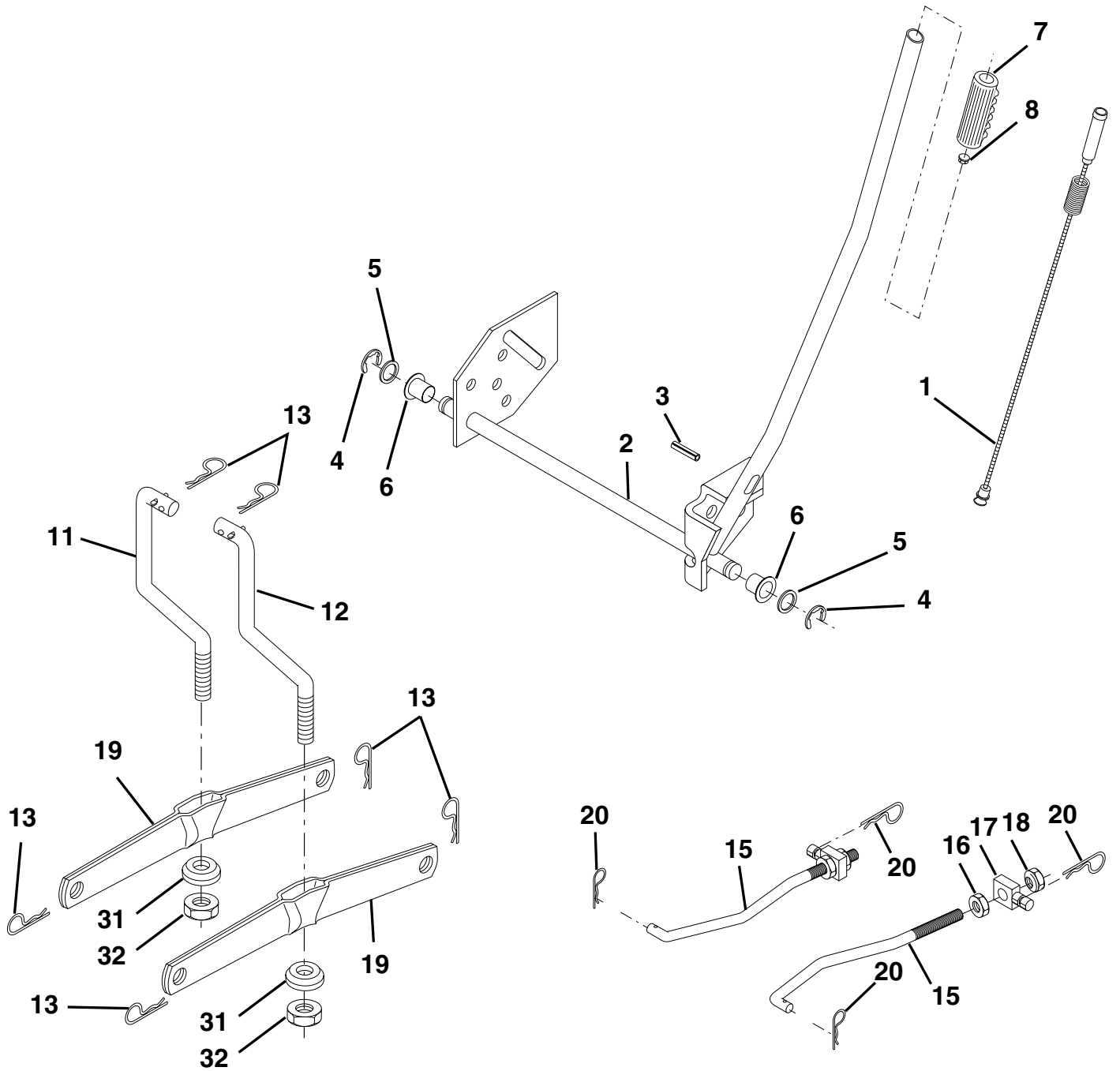


KEY NO.	PART NO.	DESCRIPTION
1	532 05 91-92	Cap Valve Tire
2	532 06 51-39	Stem Valve
3	532 10 62-22	Tire F Ts 15 X 6 0 - 6 Service
4	532 05 99-04	Tube Front (Service Item Only)
5	532 12 51-21	Rim Asm 6" front Yellow Service
6	532 12 49-57	Fitting Grease (Front Wheel Only)
7	532 12 49-59	Bearing Flange (Front Wheel Only)
8	532 12 51-22	Rim Asm 8" rear Yellow Service
9	532 10 62-68	Tire R Ts 18 x 9.5-8 C. Service
10	532 12 49-26	Tube Rear (Service Item Only)
11	532 17 50-39	Cap Axle Blk 1 50 X 1 00

NOTE: All component dimensions given in U.S. inches
1 inch = 25.4 mm

REPAIR PARTS

TRACTOR - - MODEL NUMBER 12-107 (PP12107A), PRODUCT NO. 964 79 30-00
MOWER LIFT



REPAIR PARTS

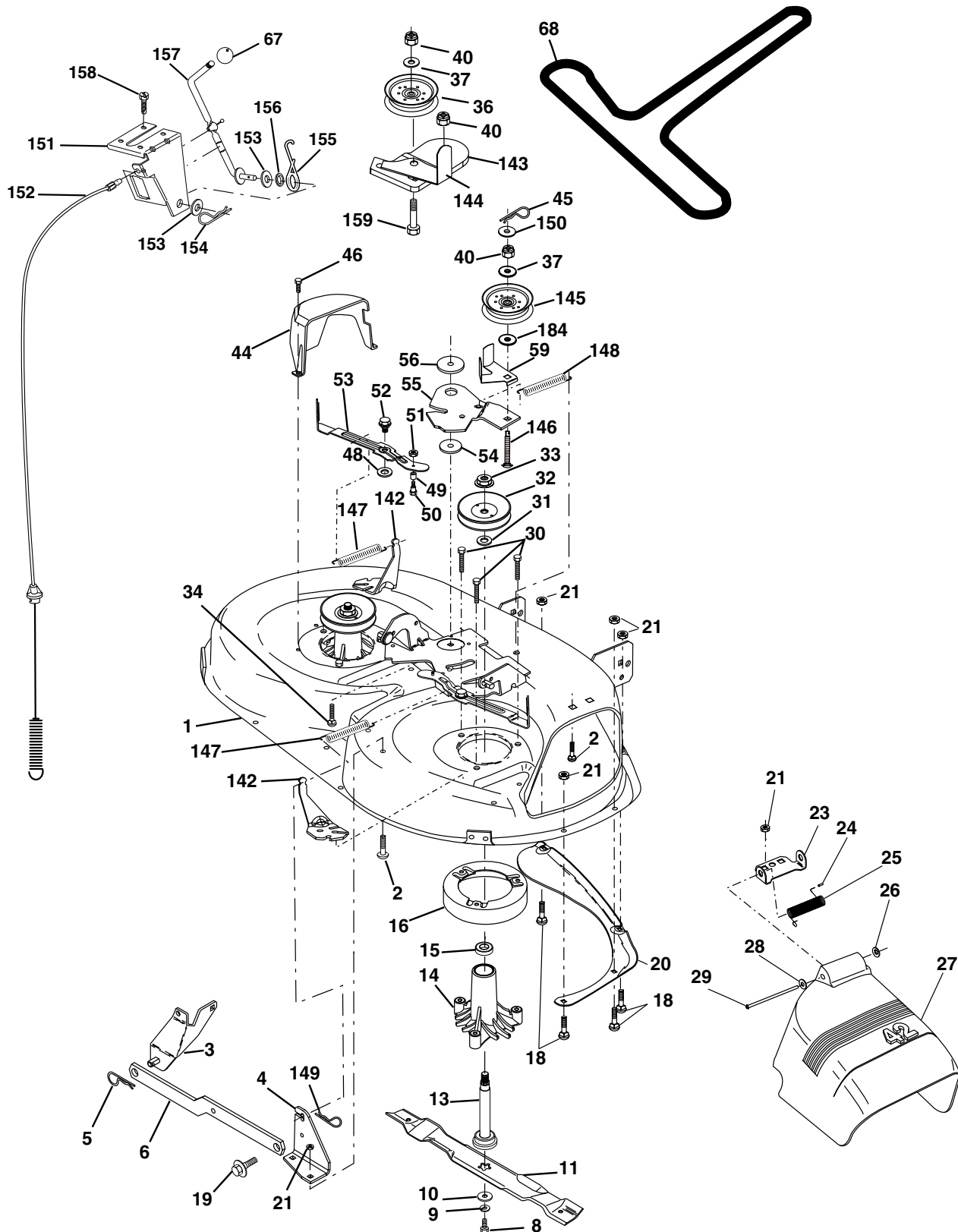
TRACTOR - - MODEL NUMBER 12-107 (PP12107A), PRODUCT NO. 964 79 30-00
MOWER LIFT

KEY NO.	PART NO.	DESCRIPTION
1	532 15 94-61	Wire Asm Inner W/Plunger
2	532 15 94-76	Shaft Asm Lift
3	532 17 89-81	Pin Groove
4	812 00 00-02	E Ring #5133-62
5	819 21 16-21	Washer PLTD 21/32 X 1 X 21ga
6	532 12 01-83	Bearing Nylon Blk 629 Id
7	532 10 94-13	Grip Handle Bicycle Matte Blk
8	532 12 45-26	Button Plunger Black
11	532 13 98-65	Link Lift LH
12	532 13 98-66	Link Lift RH
13	532 12 46-70	Retainer Spring
15	532 17 32-88	Link Front
16	873 35 08-00	Nut Jam Hex 1/2-13 Unc
17	532 17 56-89	Trunnion
18	873 80 08-00	Nut Lock w/wsh 1/2-13 Unc
19	532 13 98-68	Arm Suspension Rear
20	532 16 35-52	Retainer Spring
31	532 16 98-65	Bearing Pvt Lift
32	873 54 06-00	Nut Crownlock 3/8-24

NOTE: All component dimensions given in U.S. inches
1 inch = 25.4 mm

REPAIR PARTS

TRACTOR - - MODEL NUMBER 12-107 (PP12107A), PRODUCT NO. 964 79 30-00
MOWER DECK



REPAIR PARTS

TRACTOR - - MODEL NUMBER 12-107 (PP12107A), PRODUCT NO. 964 79 30-00
MOWER DECK

KEY NO.	PART NO.	DESCRIPTION	KEY NO.	PART NO.	DESCRIPTION
1	532 16 58-92	Housing Asm Mower 42" T-Path	46	532 13 77-29	Screw Hex Thd Cut 1/4-20x5/8 T
2	872 14 05-06	Bolt Rdhd Sqnk 5/16-18unc X3/4	48	532 13 39-44	Washer Hardened Smaller
3	532 13 80-17	Bracket Asm Fr Sway Bar 38/42	49	532 17 42-84	Roller Asm Cam Follower 42" dec
4	532 16 54-60	Bracket Asm Deck 42" sway Bar	50	532 13 13-40	Bolt Shldr 10-24 Zinc Gr 5 42"
5	532 12 46-70	Retainer Spring	51	532 06 91-80	Nut Lock #10-24 Unc
6	532 17 80-24	Bar Sway Deck	52	532 13 98-88	Bolt Shoulder 5/16-18 Unc Blkz
8	532 85 08-57	Bolt 3/8 - 24 X 1.25 Gr 8	53	532 13 18-45	Arm Asm Pad Brake
9	810 03 06-00	Washer Lock Hvy 3/8 Unplated	54	532 17 85-15	Washer Hardened
10	532 14 02-96	Washer Hard Blade Mower	55	532 15 50-46	Arm Idler 42" mower LT/YT
11	532 13 89-71	Blade, 42" High Lift (For bagging and discharging)	56	532 16 57-23	Spacer Retainer Pm Mower
--	532 13 41-49	Blade, 42" Mulching Std (For mulching mowers only)	59	532 14 10-43	Guard TUV Idler
--	532 13 97-75	Blade, 42" Mulching Premium (For better wear when mulching)	67	532 10 69-32	Knob Rd 3/8-16 Plstc Thds Blk
13	532 13 76-45	Shaft Asm W/Lower Bearing	68	532 18 02-15	V-Belt Mower
14	532 12 87-74	Housing Mandrel Vented (Machd)	142	532 16 58-90	Arm Spring Brake Mower
15	532 11 04-85	Bearing Ball Mandrel	143	532 15 71-09	Bracket Arm Idler 42"
16	532 17 44-93	Stripper Round Mower	144	532 15 86-34	Keeper Belt 42" Clutch Cable
18	872 14 05-05	Bolt Carr 5/16-18 X 5/8	145	532 16 58-88	Pulley Idler Flat
19	532 13 28-27	Bolt Shoulder	146	532 17 19-77	Bolt Carriage Idler
20	532 15 97-70	Baffle Vortex 42"	147	532 17 97-48	Spring Extension
21	873 68 05-00	Nut Crown Lock 5/16-18	148	532 16 90-22	Spring Return Idler
23	532 17 75-63	Bracket Deflector Mower 42"	149	532 16 58-98	Retainer Spring Yellow
24	532 10 53-04	Cap Sleeve 80x 112 Blk Mower	150	819 09 12-16	Washer 9/32 x 3/4 x 16 Ga.
25	532 12 37-13	Spring Torsion Deflector 2 52	151	532 16 96-70	Bracket Clutch Cable
26	532 11 04-52	Nut Push Phos & Oil	152	532 18 15-55	Clutch Cable 42"
27	532 17 18-59	Shield Deflector Mower 42"	153	532 16 96-74	Washer Flat 3/8" Type B
28	819 11 10-16	Washer 11/32 X 5/8 X 16 Ga.	154	532 16 96-75	Spring Retainer
29	532 13 14-91	Rod Hinge 42" 6 75 Wlg	155	532 16 96-71	Spring Retention Lvr Cltch Cab
30	532 17 39-84	Screw Thdrol	156	532 16 96-72	Spacer Clutch Cable
31	532 12 99-63	Washer Spacer Mower Vented	157	532 16 96-69	Rod Clutch Cable 3/8"
32	532 15 35-35	Pulley Mandrel 42/44/50	158	817 72 04-08	Screw Hex Thd Cut 1/4-20 x 1/2
33	532 17 83-42	Nut Top Lock Fling	159	872 14 06-14	Bolt Rdhd Sqn 3/8-16 UNC x 1-3/4
34	872 11 06-14	Bolt Rdhd 3/8-16unc X 1-3/4 Gr5	184	819 13 14-10	Washer 13/32 x 7/8 x 10 Ga.
36	532 13 14-94	Pulley Idler Flat 3 060	--	532 18 19-25	Replacement Mower, Complete
37	819 13 13-16	Washer 13/32 X 13/16 X 16	--	532 13 07-94	Mandrel Asm. (Includes Housing, Shaft and Shaft Hardware Only - Pulley Not Included)
40	873 68 06-00	Nut, Crownlock 3/8-16 UNC			
44	532 14 00-88	Guard Mandrel LH Black			
45	532 12 47-88	Spring Retainer 1" Zinc/cad			

NOTE: All component dimensions given in U.S. inches
1 inch = 25.4 mm